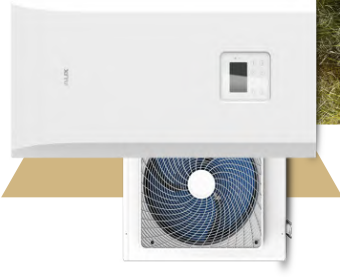


# TECHNICAL SPECIFICATIONS



Model name	ACHP-H04/4R3HA		ACHP-H06/4R3HA		ACHP-H08/4R3HA	
Outdoor unit	ACHP-H04/4R3HA-O		ACHP-H06/4R3HA-O		ACHP-H08/4R3HA-O	
Indoor unit	ACHP-H04/4R3HA-I		ACHP-H06/4R3HA-I		ACHP-H08/4R3HA-I	
<b>Heating (A7/W35) (1)</b>	Capacity	kW	4,3	6,25	8,4	
	Power consumption	kW	0,83	1,3	1,62	
	COP		5,2	5	5,2	
<b>Heating (A7/W55) (2)</b>	Capacity	kW	4,36	6,4	8,3	
	Power consumption	kW	1,47	2,13	2,60	
	COP		2,96	3	3,19	
<b>Cooling (A35/W18) (3)</b>	Capacity	kW	4,5	6,6	8,45	
	Power consumption	kW	0,81	1,35	1,67	
	EER		5,56	4,9	5,06	
<b>Cooling (A35/W7) (4)</b>	Capacity	kW	4,75	7,05	7,45	
	Power consumption	kW	1,40	2,35	2,20	
	EER		3,4	3	3,39	
<b>Seasonal Energy Efficiency Class: Heating (6)</b>	LWT 35°C		A+++	A+++	A+++	
	LWT 55°C		A++	A++	A++	
<b>SCOP (6)</b>	LWT 35°C		4,86	4,96	5,22	
	LWT 55°C		3,32	3,53	3,37	
<b>Power</b>	Outdoor unit	V~/Hz	220-240/1/50		220-240/1/50	
	Indoor unit	V~/Hz	220-240/1/50		380-415/3/50	
<b>Maximum Circuit Breaker</b>		A	18	18	19	

Model name	ACHP-H10/4R3HA		ACHP-H12/5R3HA		ACHP-H14/5R3HA		ACHP-H16/5R3HA	
Outdoor unit	ACHP-H10/4R3HA-O		ACHP-H12/5R3HA-O		ACHP-H14/5R3HA-O		ACHP-H16/5R3HA-O	
Indoor unit	ACHP-H10/5R3HA-I		ACHP-H12/5R3HA-I		ACHP-H14/5R3HA-I		ACHP-H16/5R3HA-I	
<b>Heating (A7/W35) (1)</b>	Capacity	kW	10	12,2	14,5	16,1		
	Power consumption	kW	2	2,44	3,08	3,57		
	COP		5	5	4,71	4,51		
<b>Heating (A7/W55) (2)</b>	Capacity	kW	10	12	14	16,1		
	Power consumption	kW	3,23	3,86	4,67	5,53		
	COP		3,1	3,11	3	2,91		
<b>Cooling (A35/W18) (3)</b>	Capacity	kW	10	12	13,6	15		
	Power consumption	kW	2,08	3	3,78	4,41		
	EER		4,8	4	3,6	3,4		
<b>Cooling (A35/W7) (4)</b>	Capacity	kW	8,3	11,7	12,8	14		
	Power consumption	kW	2,52	4,3	5,00	5,7		
	EER		3,3	2,75	2,56	2,46		
<b>Seasonal Energy Efficiency Class: Heating (6)</b>	LWT 35°C		A+++	A+++	A+++	A+++		
	LWT 55°C		A++	A++	A++	A++		
<b>SCOP (6)</b>	LWT 35°C		5,2	4,82	4,71	4,63		
	LWT 55°C		3,5	3,46	3,48	3,43		
<b>Power</b>	Outdoor unit	V~/Hz	380-415/3/50		380-415/3/50		380-415/3/50	
	Indoor unit	V~/Hz	380-415/3/50		380-415/3/50		380-415/3/50	
<b>Maximum Circuit Breaker</b>		A	14	14	14	14		

(1) Outdoor temperature 7°C DB, 85% RH; EWT 30°C, LWT 35°C  
 (2) Outdoor temperature 7°C DB, 85% RH; EWT 40°C, LWT 45°C  
 (3) Outdoor temperature 35°C DB, EWT 12°C, LWT 7°C  
 (4) Outdoor temperature 35°C DB, EWT 23°C, LWT 18°C  
 (5) Outdoor temperature 35°C DB, EWT 12°C, LWT 7°C  
 (6) Seasonal energy efficiency class measured under average climatic conditions  
 Relevant EU standards and regulations: EN14511; EN14825; EN50564; EN12102

Model name			ACHP-H04/4R3HA	ACHP-H06/4R3HA	ACHP-H08/4R3HA	
<b>Outdoor unit</b>			<b>ACHP-H04/4R3HA-O</b>	<b>ACHP-H06/4R3HA-O</b>	<b>ACHP-H08/4R3HA-O</b>	
<b>Indoor unit</b>			<b>ACHP-H04/4R3HA-I</b>	<b>ACHP-H06/4R3HA-I</b>	<b>ACHP-H08/5R3HA-I</b>	
<b>Compressor</b>	<b>Type</b>	-	Double rotary DC inverter	Double rotary DC inverter	Double rotary DC inverter	
<b>Outdoor unit fan</b>	<b>Motor type</b>	-	Brushless DC motor	Brushless DC motor	Brushless DC motor	
	<b>Number of fans</b>	-	1	1	1	
<b>Regrigerant type (R32)</b>	<b>Quantity</b>	<b>kg</b>	1,25	1,25	1,65	
<b>Expansion valve type</b>		-	Electronic	Electronic	Electronic	
<b>Cooling system</b>	<b>Liquid / gas pipe diameter</b>	<b>mm</b>	φ9.52/15.9	φ9.52/15.9	φ9.52/15.9	
	<b>Piping length min/max</b>	<b>m</b>	2/30	2/30	2/30	
<b>Height difference in the system</b>	<b>Outdoor unit above/below</b>	<b>m</b>	20	20	20	
	<b>Sound pressure level (1m)</b>	<b>Outdoor unit</b>	<b>dB</b>	43	44	45
		<b>Indoor unit</b>	<b>dB</b>	28	28	29
<b>Net dimensions (LxHxW)</b>	<b>Outdoor unit</b>	<b>mm</b>	350x700x900	350x700x900	395x805x970	
	<b>Indoor unit</b>	<b>mm</b>	420x790x270	420x790x270	420x790x270	
<b>Packaging dimensions (LxHxW)</b>	<b>Outdoor unit</b>	<b>mm</b>	430x770x1020	430x770x1020	495x895x1105	
	<b>Indoor unit</b>	<b>mm</b>	515x985x355	515x985x355	515x985x355	
<b>Net/gross weight</b>	<b>Outdoor unit</b>	<b>kg</b>	37/40	37/40	51/55	
	<b>Indoor unit</b>	<b>kg</b>	37/43	37/43	38/44	
<b>Operation range at ambient temperatures</b>	<b>Cooling</b>	<b>°C</b>	10 ~ 48	10 ~ 48	10 ~ 48	
	<b>Heating</b>	<b>°C</b>	-25 ~ 35	-25 ~ 35	-25 ~ 35	
	<b>DHW</b>	<b>°C</b>	-25 ~ 43	-25 ~ 43	-25 ~ 43	
<b>Water temperature range</b>	<b>Cooling</b>	<b>°C</b>	5 ~ 25	5 ~ 25	5 ~ 25	
	<b>Heating</b>	<b>°C</b>	25 ~ 65	25 ~ 65	25 ~ 65	
	<b>DHW</b>	<b>°C</b>	30 ~ 60	30 ~ 60	30 ~ 60	

ACHP-H10/4R3HA		ACHP-H12/5R3HA		ACHP-H14/5R3HA		ACHP-H16/5R3HA	
<b>ACHP-H10/4R3HA-O</b>		<b>ACHP-H12/5R3HA-O</b>		<b>ACHP-H14/5R3HA-O</b>		<b>ACHP-H16/5R3HA-O</b>	
<b>ACHP-H10/5R3HA-I</b>		<b>ACHP-H12/5R3HA-I</b>		<b>ACHP-H14/5R3HA-I</b>		<b>ACHP-H16/5R3HA-I</b>	
Double rotary DC inverter		Double rotary DC inverter		Double rotary DC inverter		Double rotary DC inverter	
Brushless DC motor		Brushless DC motor		Brushless DC motor		Brushless DC motor	
1		1		1		1	
1,65		1,84		1,84		1,84	
Electronic		Electronic		Electronic		Electronic	
φ9.52/15.9		φ9.52/15.9		φ9.52/15.9		φ9.52/15.9	
2/30		2/30		2/30		2/30	
20		20		20		20	
48		49		50		54	
29		31		31		31	
395x805x970		420x860x990		420x860x990		420x860x990	
420x790x270		420x790x270		420x790x270		420x790x270	
495x895x1105		530x880x1085		530x880x1085		530x880x1085	
515x985x355		515x985x355		515x985x355		515x985x355	
65/69		100/112		100/112		100/112	
38/44		38/44		38/44		38/44	
10 ~ 48		10 ~ 48		10 ~ 48		10 ~ 48	
-25 ~ 35		-25 ~ 35		-25 ~ 35		-25 ~ 35	
-25 ~ 43		-25 ~ 43		-25 ~ 43		-25 ~ 43	
5 ~ 25		5 ~ 25		5 ~ 25		5 ~ 25	
25 ~ 65		25 ~ 65		25 ~ 65		25 ~ 65	
30 ~ 60		30 ~ 60		30 ~ 60		30 ~ 60	

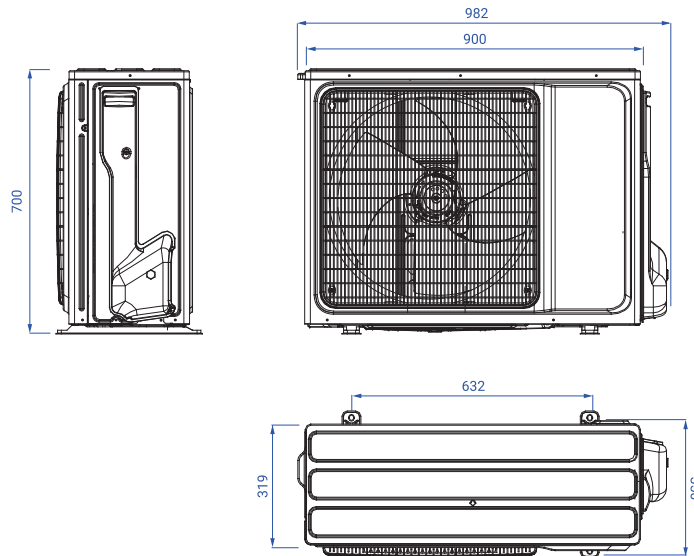
Model name		ACHP-H04/4R3HA	ACHP-H06/4R3HA	ACHP-H08/4R3HA	
<b>Outdoor unit</b>		<b>ACHP-H04/4R3HA-O</b>	<b>ACHP-H06/4R3HA-O</b>	<b>ACHP-H08/4R3HA-O</b>	
<b>Indoor unit</b>		<b>ACHP-H04/4R3HA-I</b>	<b>ACHP-H06/4R3HA-I</b>	<b>ACHP-H08/5R3HA-I</b>	
Water circulation	<b>Water connection</b>	inch	R1"	R1"	
	<b>Safety valve setting</b>	MPa	0,3	0,3	
	<b>Minimum water flow</b>	m³/h	0,36	0,36	
	<b>Expansion vessel</b>	<b>Capacity</b>	L	8	8
		<b>Max water pressure</b>	MPa	0,3	0,3
	<b>Water exchange type</b>	-	Flat plate	Flat plate	
	<b>Electric flow-through heater</b>	kW	3	3	
	<b>Water pump head height</b>	m	9,5	9,5	

Model name		ACHP-H10/4R3HA	ACHP-H12/5R3HA	ACHP-H14/5R3HA	ACHP-H16/5R3HA
<b>Outdoor unit</b>		<b>ACHP-H10/4R3HA-O</b>	<b>ACHP-H12/5R3HA-O</b>	<b>ACHP-H14/5R3HA-O</b>	<b>ACHP-H16/5R3HA-O</b>
<b>Indoor unit</b>		<b>ACHP-H10/5R3HA-I</b>	<b>ACHP-H12/5R3HA-I</b>	<b>ACHP-H14/5R3HA-I</b>	<b>ACHP-H16/5R3HA-I</b>
Water circulation	<b>Water connection</b>	inch	R1"	R1"	R1"
	<b>Safety valve setting</b>	MPa	0,3	0,3	0,3
	<b>Minimum water flow</b>	m³/h	0,36	0,6	0,6
	<b>Expansion vessel</b>	<b>Capacity</b>	L	8	8
		<b>Max water pressure</b>	MPa	0,3	0,3
	<b>Water exchange type</b>	-	Flat plate	Flat plate	Flat plate
	<b>Electric flow-through heater</b>	kW	9	9	9
	<b>Water pump head height</b>	m	9,5	9,5	9,5

# TECHNICAL DRAWINGS

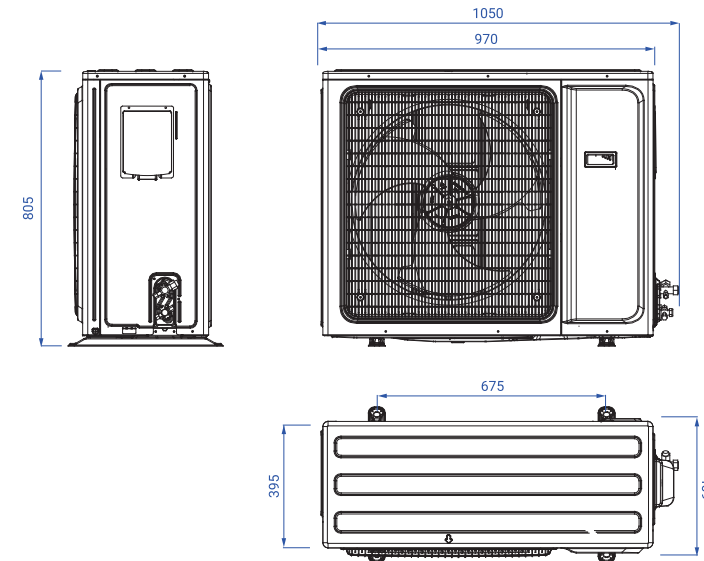
## Outdoor unit 4 kW, 6 kW

ACHP-H04/4R3HA-O  
ACHP-H06/4R3HA-O



## Outdoor unit 8 kW, 10 kW

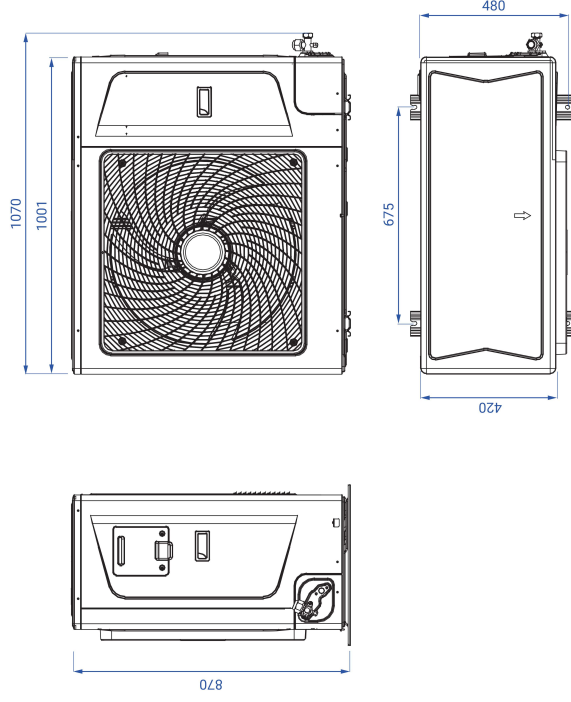
ACHP-H08/4R3HA-O  
ACHP-H10/4R3HA-O



**Outdoor unit**

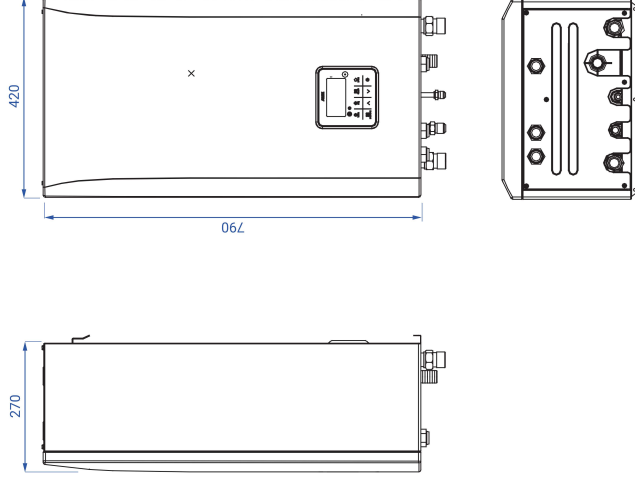
**12 kW, 14 kW, 16 kW**

- ACHP-H12/SR3HA-O
- ACHP-H14/SR3HA-O
- ACHP-H16/SR3HA-O



**Indoor unit**

- ACHP-H04/4R3HA-I
- ACHP-H06/4R3HA-I
- ACHP-H08/5R3HA-I
- ACHP-H10/5R3HA-I
- ACHP-H12/5R3HA-I
- ACHP-H14/5R3HA-I
- ACHP-H16/5R3HA-I



*AUX cares  
about the environment*

**AUX**