

Technical Sheet

Renovent Sky 150 (Plus)



The Brink Renovent Sky 150 is a ventilation unit with heat recovery with a maximum ventilation capacity of 150 m³/h and low-energy fans.

Features Renovent Sky:

- steplessly adjustable air flow rates through a control unit (supplied with appliance).
- filter indication on the control unit / multiple switch.
- a completely new intelligent frost protection system which ensures that also at low outdoor temperatures the appliance's performance remains optimal and that, if necessary, it activates the standard preheater.
- low sound level
- comes as standard with automatic bypass valve
- constant flow control
- low energy consumption
- high efficiency

Renovent Sky 150 is available in two types:

- “**Renovent Sky 150**”
- “**Renovent Sky 150 Plus**”

Compared to the Renovent Sky 150, the Renovent Sky 150 Plus has a more extensive control board which increases the connection options.

These installation instructions describe both the standard Renovent Sky 150 and the Renovent Sky 150 Plus.

With the aid of the supplied mounting brackets, the Renovent Sky 150 (Plus) can be mounted either on the wall or on the ceiling. For the correct position of the connection ducts and dimensions see page 5.

When ordering an appliance always state the correct type; subsequent conversion to a different version is highly labour-intensive.

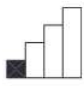
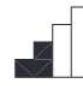



The Renovent Sky 150 comes ready to plug in with a 230 V mains plug.

The appliance comes as standard with a control unit, but connection of a simple 4-way switch is possible as well.

If a 4-way switch is installed instead of a control unit, the settings of the appliance can only be changed with a laptop!

Connecting a combination of control unit and multiple switch is another option.

Technische informatie

		Renovent Sky 150				
Supply voltage [V/Hz]	230/50					
Protection degree	IP30					
Dimensions (w x d x h) [mm]	1000 x 660 x 198					
Duct diameter [mm]	Ø125					
External diameter condensate discharge ["]	3/4					
Weight [kg]	37					
Filter class	G4					
Fan setting (factory setting) - control unit					Max.	
4-way switch		1	2	3		
Ventilation capacity [m ³ /h]	30	75	100	125	150	
Permissible resistance ducts system [Pa]	2 - 6	13 - 38	22 - 66	35 - 105	50 - 150	
Rated power (excl. preheater) [W]	11 - 12	19 - 27	27 - 37	38 - 52	53 - 72	
Rated current (excl. preheater) [A]	0,14 - 0,15	0,20 - 0,28	0,27 - 0,35	0,36 - 0,47	0,49 - 0,64	
Rated power (incl. preheater) [A]	2,4					
Cos φ	0,34	0,42	0,44 - 0,47	0,46 - 0,48	0,47 - 0,49	

Packaging unit

Packaging unit per pallet
4

Warranty period

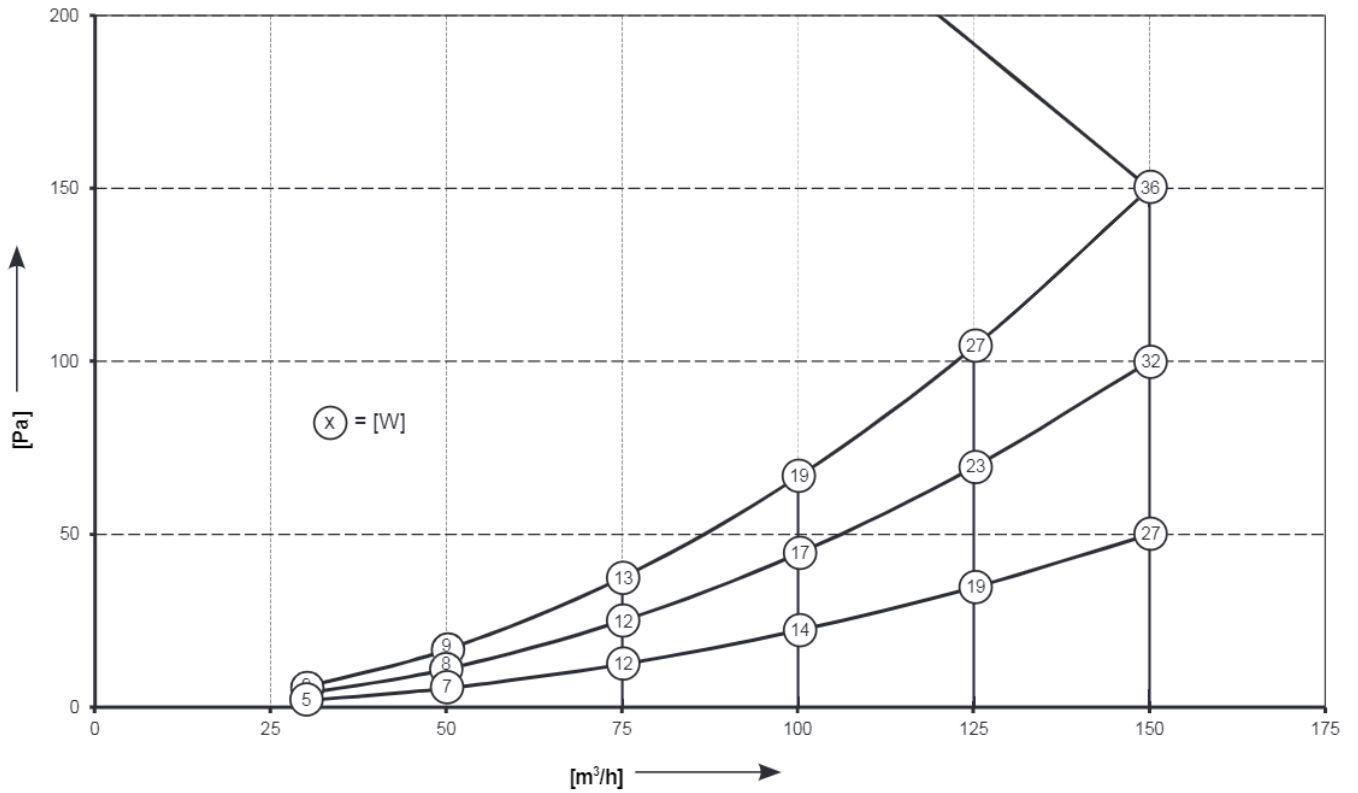
2 years on parts and 5 years on the heat exchanger.

Sound power

Sound power Sky 150											
Ventilation capacity [m ³ /h]		45			75			105		150	
Sound power level L _w (A)	Static pressure [Pa]	10	50	100	25	50	100	50	100	50	100
	Housing emission [dB(A)]	24	33	39	33	35	40	38	41	44	45
	Duct "from dwelling" [dB(A)]	27	36	42	34	37	42	40	43	46	47
	Duct "to dwelling" [dB(A)]	41	49	58	50	53	57	57	60	62	64

In practice, the value may deviate 1 dB(A) as a result of measuring tolerances.

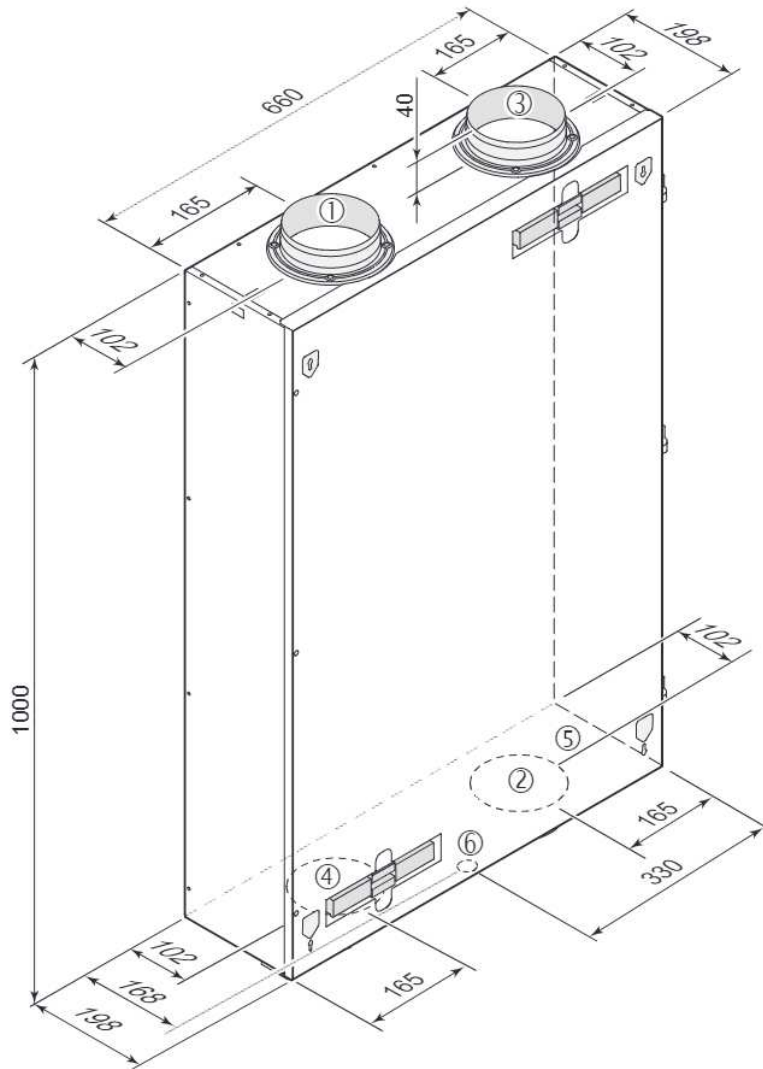
Fan graph







Fan graph Renovent Sky 150

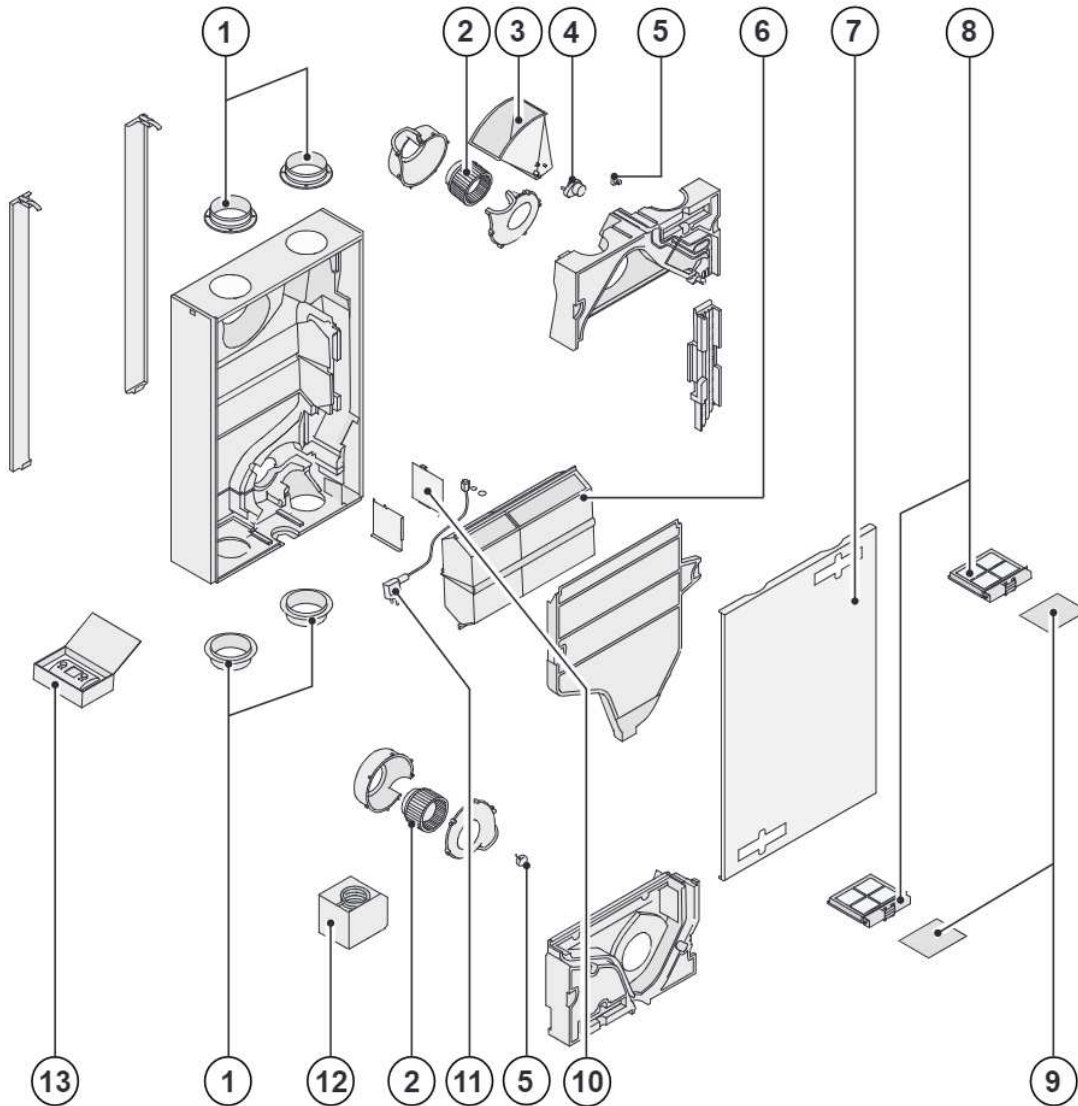
Note: The value stated in the circle is the capacity per fan (in Watt)

Connections and dimensions



- ① = To dwelling 
- ② = To atmosphere 
- ③ = From dwelling 
- ④ = From atmosphere 
- ⑤ = Electric connections
- ⑥ = Connection condensate discharge

Service parts



		Code
1	Air duct connections (4 pcs)	532004
2	Fan (1 pcs)	533003
3	Bypass valve	533008
4	Motor bypass valve	531778
5	Temperature sensor (1 pcs)	531775
6	Heat exchanger	533006
7	Front cover with hinges	513007
8	Filter holder set (2 pieces)	533005
9	Filter kit 2x G4 filter (standard version)	533000

		Code
10	Control board (Plus version) When replacing, note the correct dip switch settings.	531780
11	Cable with power plug 230 volt *	533009
12	Heating coil 375 W preheater	533020
13	Control unit	510490

* The mains cable has a print connector. When replacing it, always order a replacement mains cable Brink
To avoid dangerous situations, a damaged mains should only be replaced by a qualified person!

Declaration of Conformity Renovent Sky 150



Modifications reserved

Brink Climate Systems B. V. continuously strives after improvement of products and reserves the right to change the specifications without prior notice.



BRINK CLIMATE SYSTEMS B.V.

P.O. Box 11 7950 AA Staphorst
Tel. +31 (0) 522 46 99 44
Fax +31 (0) 522 46 94 00
info@brinkclimatesystems.nl
www.brinkclimatesystems.nl