

# Technical Sheet

## Renovent Sky 200 (Plus)



The Brink Renovent Sky 200 is a ventilation unit with heat recovery with a maximum ventilation capacity of 200 m<sup>3</sup>/h and low-energy fans.

Features Renovent Sky:

- steplessly adjustable air flow rates through a “Brink Air control” (supplied with appliance).
- filter indication on the “Brink Air control” / multiple switch.
- a completely new intelligent frost protection system which ensures that also at low outdoor temperatures the appliance’s performance remains optimal and that, if necessary, it activates the standard preheater.
- low sound level
- comes as standard with automatic bypass valve
- constant flow control
- low energy consumption
- high efficiency

Renovent Sky 200 is available in two types:

- “**Renovent Sky 200**”
- “**Renovent Sky 200 Plus**”

Compared to the Renovent Sky 200, the Renovent Sky 200 Plus has a more extensive control board which increases the connection options.

These installation instructions describe both the standard Renovent Sky 200 and the Renovent Sky 200 Plus.

With the aid of the supplied mounting brackets, the Renovent Sky 200 (Plus) can be mounted either on the wall or on the ceiling. For the correct position of the connection ducts and dimensions see page 4.

When ordering an appliance always state the correct type; subsequent conversion to a different version is highly labour-intensive.

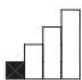




The Renovent Sky 200 comes ready to plug in with a 230 V mains plug.

The appliance comes as standard with a “Brink Air control”, but connection of a simple 4-way switch is possible as well.

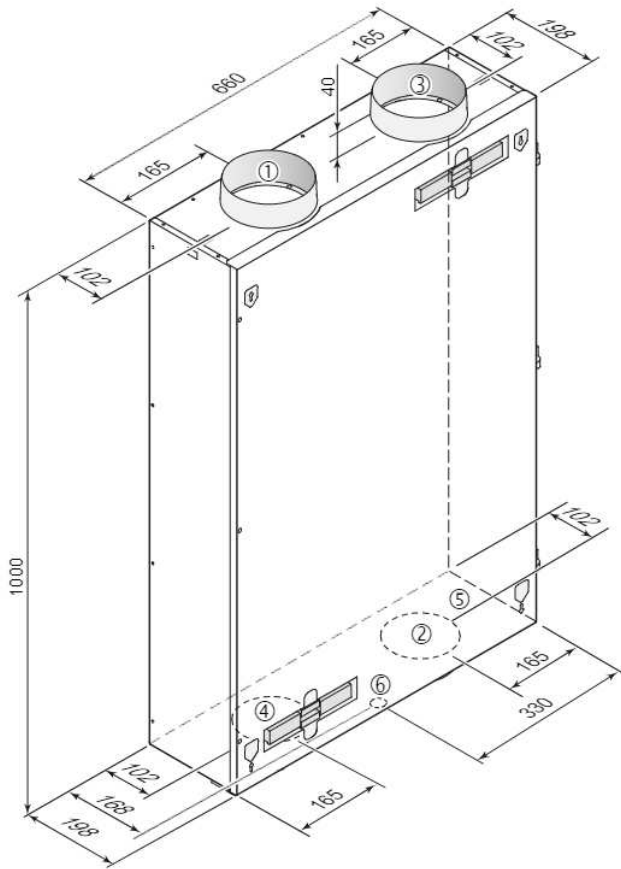
**If a 4-way switch is installed instead of a “Brink Air control”, the settings of the appliance can only be changed with a laptop!**





Connecting a combination of “Brink Air control” and multiple switch is another option.

## Technical information

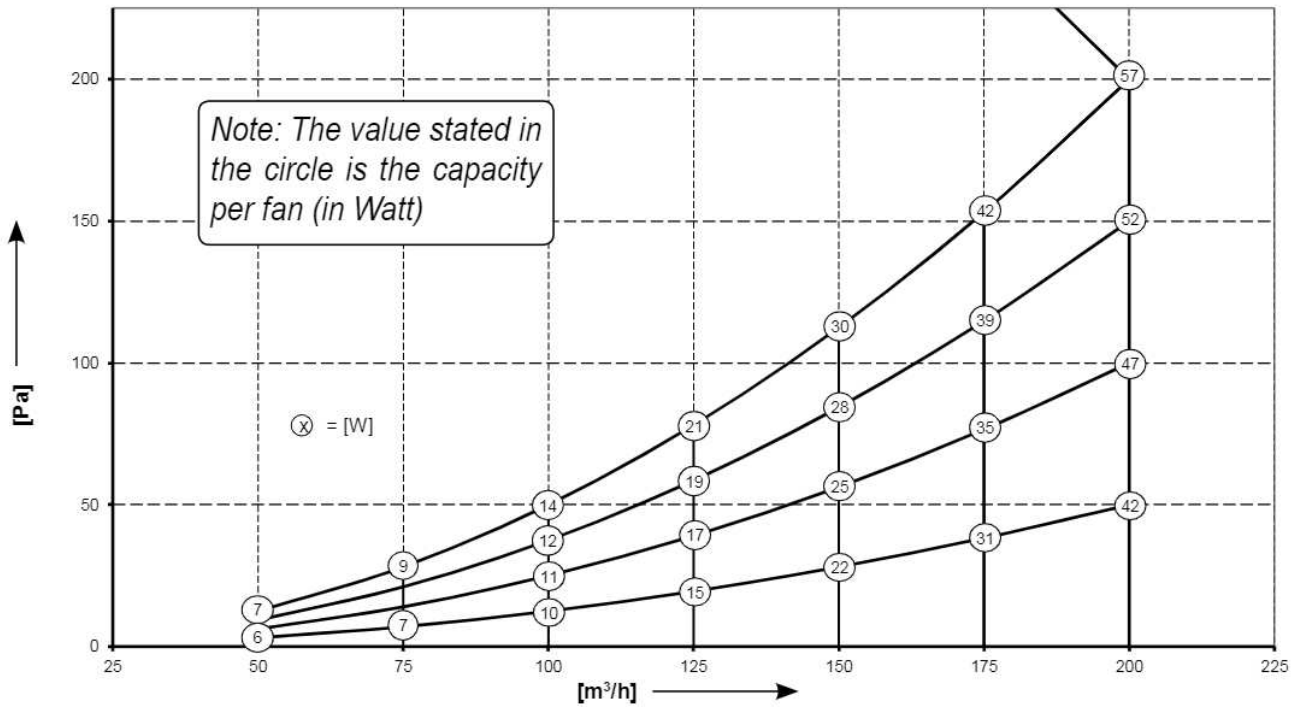
		Renovent Sky 200				
Supply voltage [V/Hz]		230/50				
Protection degree		IP30				
Dimensions (w x d x h) [mm]		1000 x 660 x 198				
Duct diameter [mm]		Ø160				
External diameter condensate discharge ["]		3/4				
Weight [kg]		24,5				
Filter class		G4				
Fan setting (factory setting)	- "Brink Air control"					Max.
	- 4-way switch		1	2	3	
Ventilation capacity [m <sup>3</sup> /h]		50	100	125	150	200
Permissible resistance ducts system [Pa]		3 - 13	13 - 50	20 - 78	28 - 113	50 - 200
Rated power (excl. preheater) [W]		12 - 13	20 - 27	30 - 41	44 - 61	84 - 114
Rated current (excl. preheater) [A]		0,13 - 0,15	0,20 - 0,27	0,28 - 0,39	0,40 - 0,54	0,74 - 0,98
Rated power (incl. preheater) [A]		2,7				
Cos φ		0,38	0,43 - 0,44	0,46	0,48 - 0,49	0,49 - 0,51

Connections and dimensions

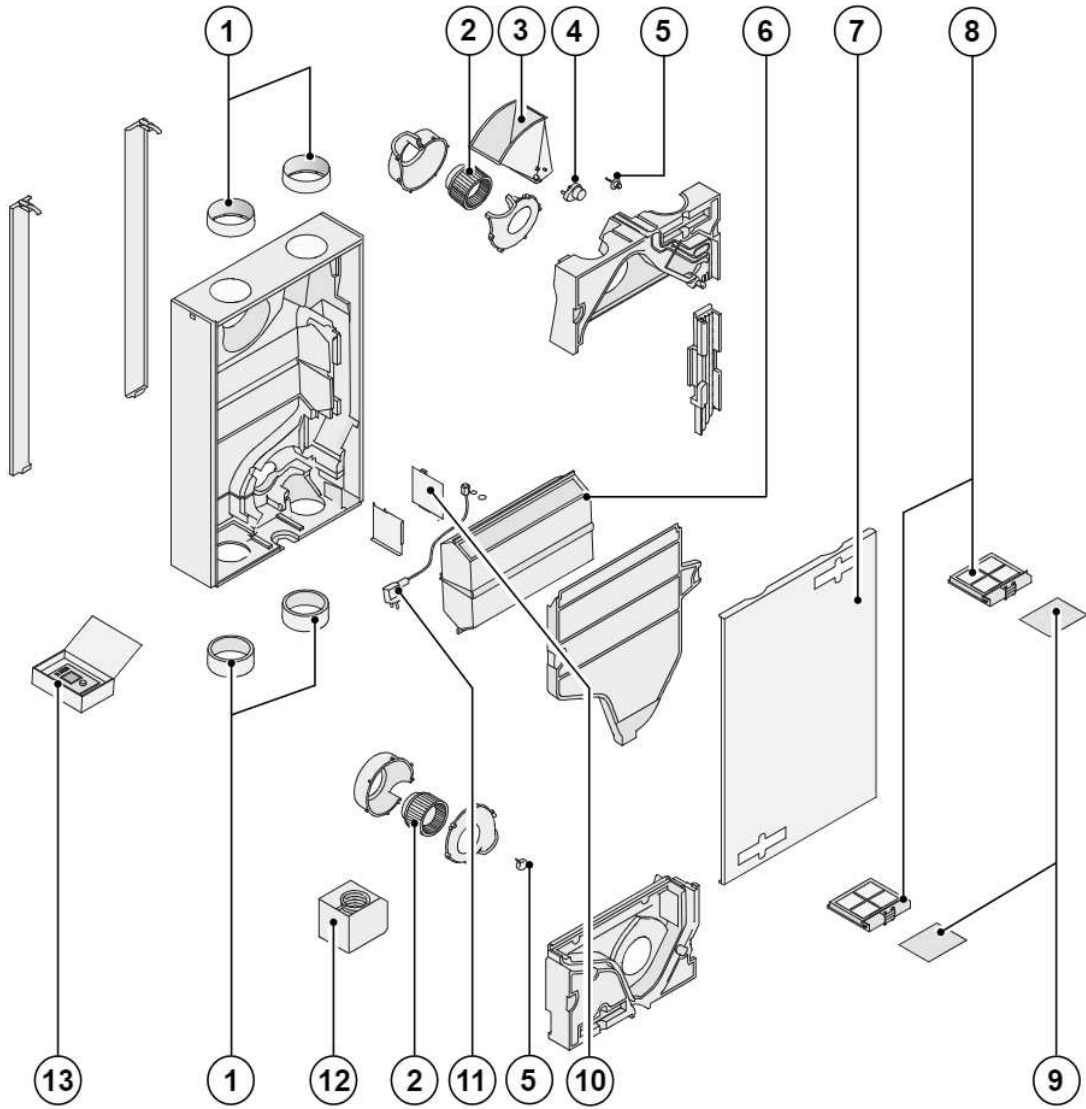


- 1 To dwelling 
- 2 To atmosphere 
- 3 From dwelling 
- 4 From atmosphere 
- 5 Electric connections
- 6 Connection condensate discharge

Fan graph



Service parts



Nr.	Description	Code
1	Air duct connections (4 pcs)	532156
2	Fan (1 pcs))	532155
3	Bypass valve	533008
4	Motor bypass valve	531778
5	Temperature sensor (1 pcs)	531775
6	Heat exchanger	533006
7	Front cover with hinges	513007
8	Filter holder set (2 pieces)	533005
9	Filter kit 2x G4 filter (standard version)	533000
10	Control board (Plus version) When replacing, note the correct dip switch settings	531780
11	Cable with power plug 230 volt *	533009
12	Heating coil 375 W preheater	533020
13	Air Control	510498

\* The mains cable has a print connector. When replacing it, always order a replacement mains cable Brink  
**To avoid dangerous situations, a damaged mains should only be replaced by a qualified person!**

#### Modifications reserved

Brink Climate Systems B. V. continuously strives after improvement of products and reserves the right to change the specifications without prior notice.

Productdatasheet conform Ecodesign (EU), nr. 1254/2014 (Annex IV)					
Supplier:		Brink Climate Systems B.V.			
Model:		Renovet Sky 200 (Plus)			
Climate zone	Type of control	SEC-Value in kWh/m <sup>2</sup> /a	Energyclass (SEC)	The annual electricity consumption (AEC) in kWh	The annual heating saved (AHS) in kWh
Average	"Brink Air control"	-36,06	A	354	4335
	Central demand control	-38,07	A	322	4389
	Local demand control	-41,59	A	257	4490
Cold	"Brink Air control"	-78,00	A+	891	6617
	Central demand control	-80,53	A+	859	6698
	Local demand control	-85,09	A+	794	6862
Warm	"Brink Air control"	-12,03	E	309	2282
	Central demand control	-13,75	E	277	2310
	Local demand control	-16,68	E	212	2366
Type of ventilation unit:		Ventilation unit with heat recovery			
Fan:		Variable speed EC fan			
Type of heat exchanger:		Recuperative plastic cross-counterflow heatexchanger			
Thermal efficiency:		83%			
Maximum flow rate:		200 m <sup>3</sup> /h			
Electric power input:		114 W			
Sound power level Lwa:		49dB(A)			
Reference flow rate :		140 m <sup>3</sup> /h			
Reference pressure difference:		50Pa			
Specific Power Input (SEL):		0,26 W/m <sup>3</sup> /h			
Control factor:		1,0 in combination with manual switch			
		0,95 in combination with Air control			
		0,85 in combination with central demand control with 1 sensor			
		0,65 in combination with local demand control with at least two or more sensors and with at least a two-zone control			
Leakage*:	Internal	0,8%			
	External	3,0%			
Filterwarning:		On the Manual switch / Air control. <b>Attention!</b> For optimal energy efficiency and a proper operation a regular filter inspection, cleaning or replacement is necessary.			
Internet address for Assembly instructions:		<a href="http://www.brinkclimatesystems.nl/installateurs/kenniscentrum/Documentatie.aspx">http://www.brinkclimatesystems.nl/installateurs/kenniscentrum/Documentatie.aspx</a>			
Bypass:		Yes; 100% Bypass			

\* Measurements executed by TZWL according to the EN 13141-7 standard (TZWL-report M.84.03.215.AD, June 2016)

Classification from 1 January 2016	
SEC Class („Average climate“)	SEC in kWh/m <sup>2</sup> /a
A+ (highest efficiency)	SEC < -42
A	-42 ≤ SEC < -34
B	-34 ≤ SEC < -26
C	-26 ≤ SEC < -23
D	-23 ≤ SEC < -20
E	-20 ≤ SEC < -10
F	-10 ≤ SEC < 0
G (less efficiency)	0 ≤ SEC



**BRINK CLIMATE SYSTEMS B.V.**

P.O.Box 11 NL-7950 AA Staphorst The Netherlands  
Wethouder Wassebaliestraat 8 7951SN Staphorst The Netherlands  
T. +31 (0) 522 46 99 44  
F. +31 (0) 522 46 94 00  
info@brinkclimatesystems.nl  
www.brinkclimatesystems.nl