

Technical Sheet

Heat recovery appliance Renovent Excellent 450 (Plus)



The Brink Renovent Excellent is a ventilation unit with heat recovery with an high efficiency, a maximum ventilation capacity of 450 m³/h and low-energy fans.

Features Renovent Excellent 450:

- steplessly adjustable air flow rates through a control panel;
- filter indication on the appliance and the possibility for filter indication on the multiple switch;
- a completely new intelligent frost protection system which ensures that also at low outdoor temperatures the appliance's performance remains optimal and that, if necessary, it activates the standard preheater.
- low sound level
- comes as standard with automatic bypass valve
- constant flow control
- low energy consumption
- high efficiency

Renovent Excellent 450 is available in two types:

- **Renovent Excellent 450"**
- **Renovent Excellent 450 Plus"**

Compared to the Renovent Excellent, the Renovent Excellent Plus has a more extensive control board which increases the connection options.


These installation instruction describe both the standard Renovent Excellent and the Renovent Excellent Plus.

The Renovent Excellent (Plus) is available in the left-handed or right-handed version. A left-handed version has the filters on the left behind the filter door; a right-handed version has the filters on the right behind the filtered door. The position of the air ducts differs for these two versions! For the correct position of the connection ducts and dimensions see page 5.

The Renovent Excellent comes ready to plug in with a 230 V mains plug and a connection for a low-voltage multiple switch on the outside of the appliance.

Version types Renovent Excellent 450					
Type	Version L of R	Position air ducts	Power supply	Type code	Brink code
Renovent Excellent	Left-handed version	4 top connections	Power plug	4/0 L	421200
	Right-hand version	4 top connections	Power plug	4/0 R	420200
Renovent Excellent Plus	Left-handed version	4 top connections	Power plug	4/0 L+	421201
	Right-hand version	4 top connections	Power plug	4/0 R+	420201

Technical information

Renovent Excellent 450				
Supply voltage [V/Hz]	230/50			
Protection degree	IP30			
Dimensions (w x h x d) [mm]	677 x 765 x 564			
Duct diameter [mm]	Ø180			
External diameter condensate discharge [mm]	Ø32			
Weight [kg]	38			
Filter class	G3 (F7 optional for supply)			
Fan setting (factory setting))		1	2	3
Ventilation capacity [m³/h]	50	100	200	300
Permissible resistance ducts system [Pa]	2 - 5	5 - 15	20 - 60	40 - 130
Rated power (excl. preheater)[W]	9,5	11 - 18	32 - 45	80 - 105
Rated current (excl. preheater)[A]	0,10	0,10 - 0,18	0,30 - 0,46	0,70 - 0,95
Max. rated current (with preheater switched on) [A]	6			
Cos φ	0,43	0,43 - 0,45	0,43 - 0,45	0,48 - 0,50

Packaging

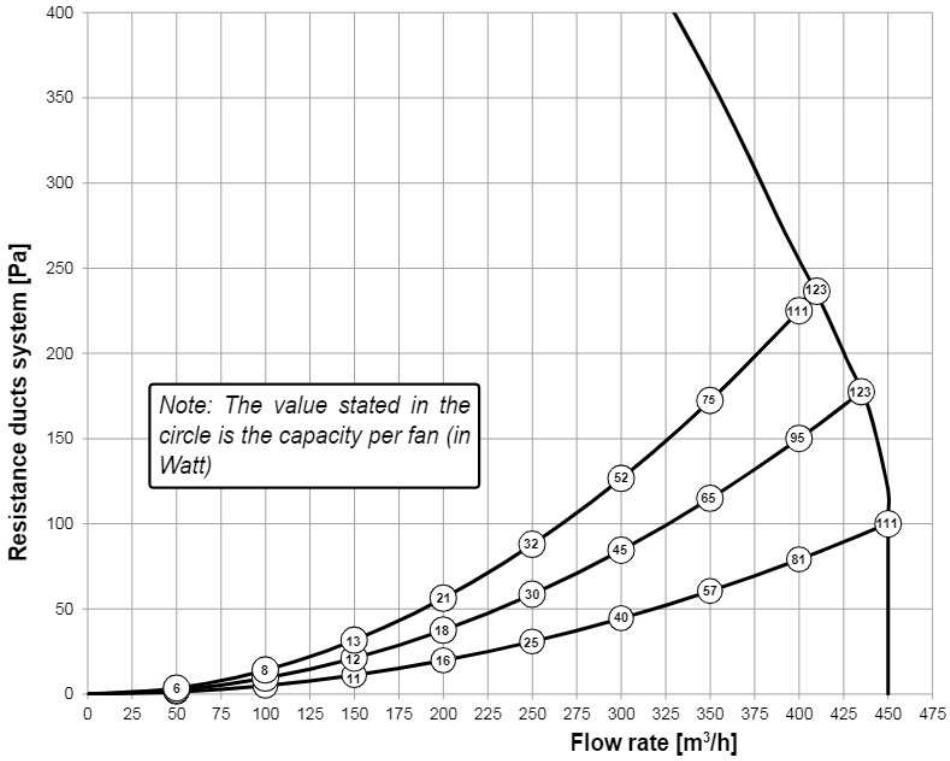
Packaging unit per pallet
2

Warranty period

2 years on parts and 5 years on the heat exchanger.

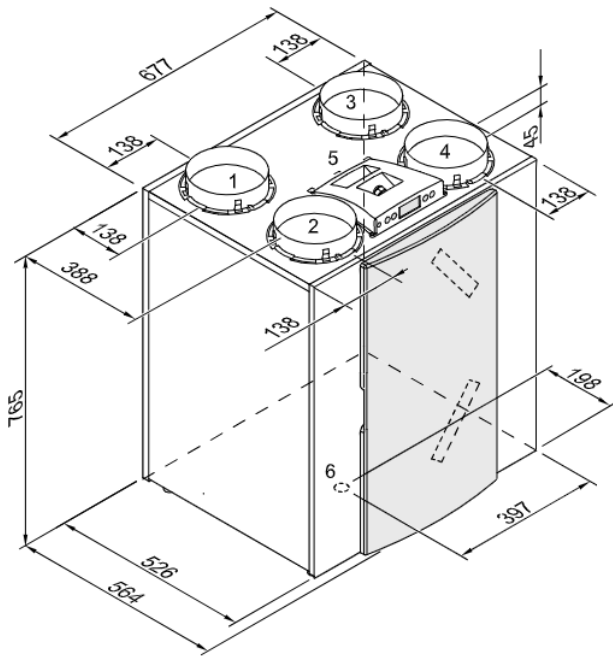
Sound power Excellent 450												
Ventilation capacity [m³/h]		100		200		225		300			400	
Sound power level L _w (A)	Static pressure [Pa]	9	40	38	80	47	100	84	175	240	150	225
	Housing emission [dB(A)]	29.5	32.5	40.5	40.5	43.5	47.5	51.0	53.0	54.0	54.5	57.0
	Duct "from dwelling" [dB(A)]	31.5	34.5	46.5	48.0	48.5	50.0	56.5	57.0	58.0	59.0	60.0
	Duct "to dwelling" [dB(A)]	42.5	47.5	57.0	59.0	60.5	62.5	66.0	68.5	69.5	70.5	71.5

In practice, the value may deviate 1 dB(A) as a result of measuring tolerances







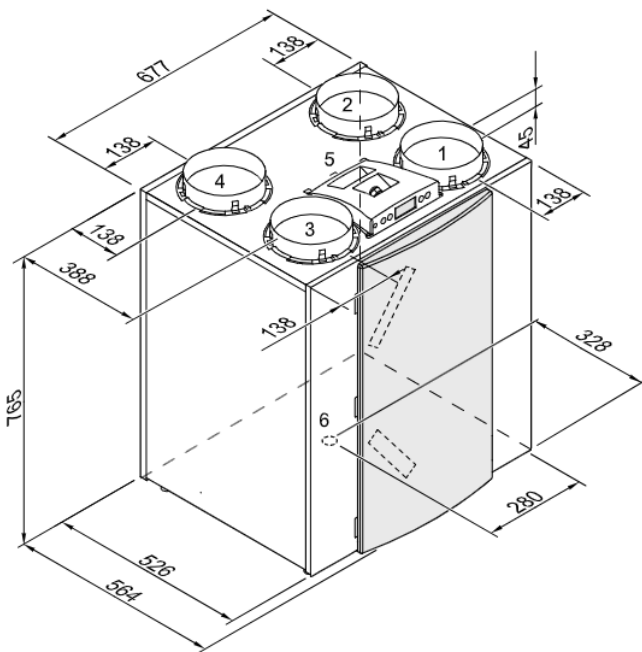
Fan graph Renovent Excellent 450

Connections and dimensions Renovent Excellent 450

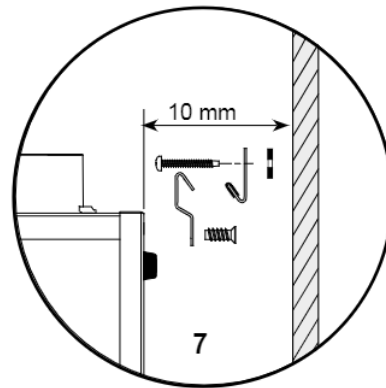


Renovent Excellent 450 Right-handed 4/0

- 1 = To dwelling 
- 2 = To atmosphere 
- 3 = From dwelling 
- 4 = From atmosphere 
- 5 = Electric connections
- 6 = Connection condensate discharge
- 7 = Wall mounting bracket (note the correct position of the rubber strip, washers and caps)



Renovent Excellent 450 left-handed 4/0



Mounting wall suspension kit

Exploded view

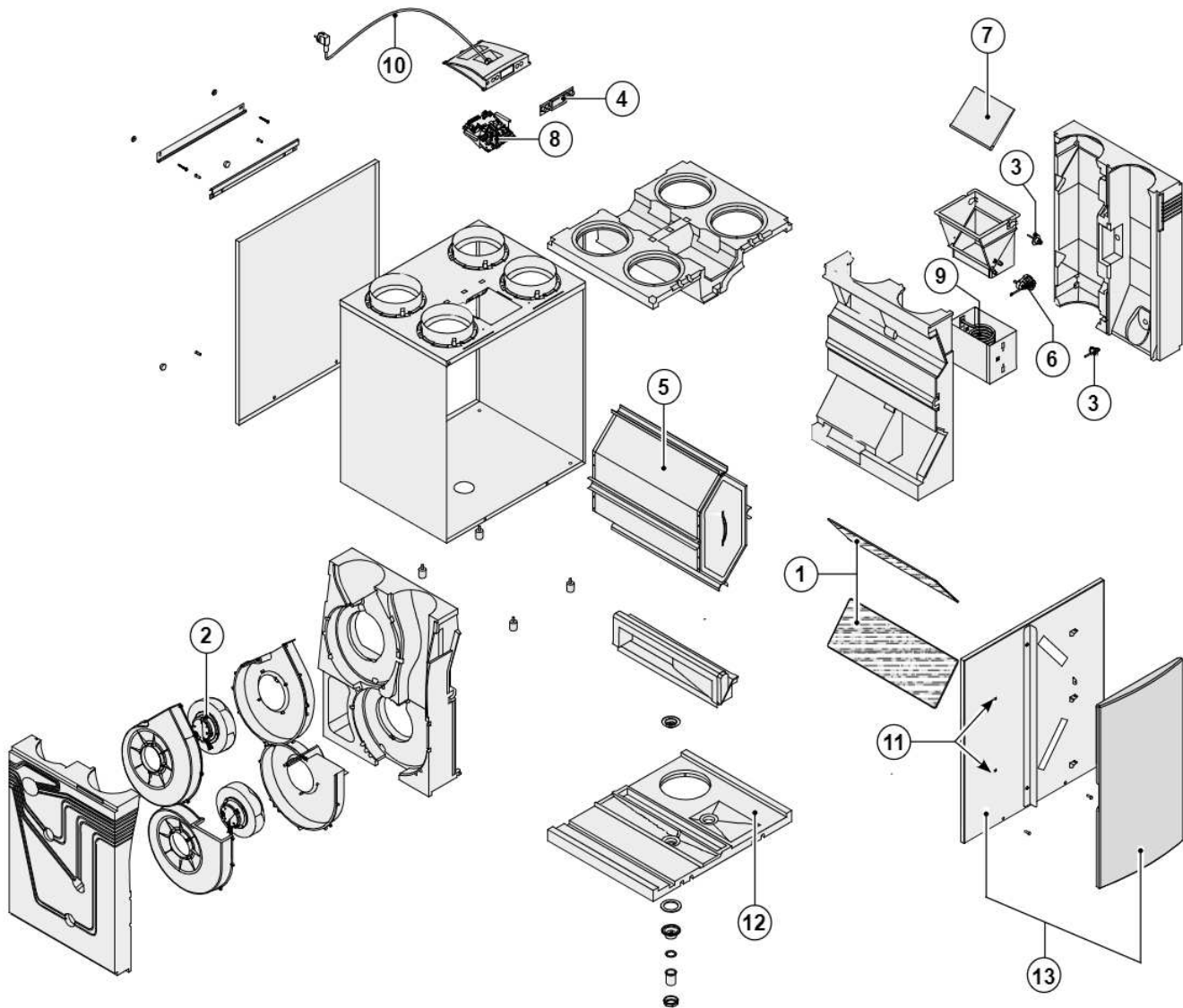
When ordering parts, in addition to the article code number (see exploded view), please state the type of the heat recovery appliance, the serial number, the year of production and the name of the part:

N.B.:

Appliance type, serial number and year of production are stated on the identification plate on the top of the appliance.

Example	
Appliance type	: Renovent Excellent 450 4/0 R
Serial number	: 420200145001
Year of production	: 2014
Part	: Fan
Article code	: 532605
Qty	: 1

Service parts



No.	Article description	Article code
1	Filter kit 2x G3 filter (standard version)	531770
2	Fan Excellent 450 (1 pcs)	532605
3	Temperature sensor NTC 10K(1 pcs)	531775
4	Control panel UBP-01	531776
5	Heat exchanger Excellent 450	531777
6	Motor bypass valve	531778
7	Bypass valve	531779
8	Control board (Plus version) When replacing, note the correct dip switch settings; see §8.1	531780
9	Heating coil 1000 W preheater	531781
10	Cable with power plug 230 volt with display cover*	531782
11	Door closing (2 pcs)	531297
12	EPS bottom plate incl. condensate outlet connection	531798
13	Filter door left	531934
	Filter door right	531935

* The mains cable has a print connector.
 When replacing it, always order a replacement mains cable Brink
To avoid dangerous situations, a damaged mains should only be replaced by a qualified person!

Modifications reserved

Brink Climate Systems B.V. continuously strives after improvement of products and reserves the right to change the specifications without prior notice.

DECLARATION OF CONFORMITY

Manufacturers : Brink Climate Systems B.V.
Address: P.O. Box 11
NL-7950 AA Staphorst, The Netherlands
Product: Heat recovery unit type:
Renovent Excellent 450
Renovent Excellent 450 Plus

The product described above complies with the following directives:

2006/95/EC (low voltage directive)
2004/108/EC (EMC directive)
RoHS 2002/95/EC (substances directive)

The product bears the CE label:



Staphorst, 03-12-14

A handwritten signature in black ink, appearing to be 'W. Hijmissen', written over a horizontal line.

*W. Hijmissen,
managing director*



BRINK CLIMATE SYSTEMS B.V.

P.O. Box 11 7950 AA Staphorst
Tel. +31 (0) 522 46 99 44
Fax +31 (0) 522 46 94 00
info@brinkclimatesystems.nl
www.brinkclimatesystems.nl